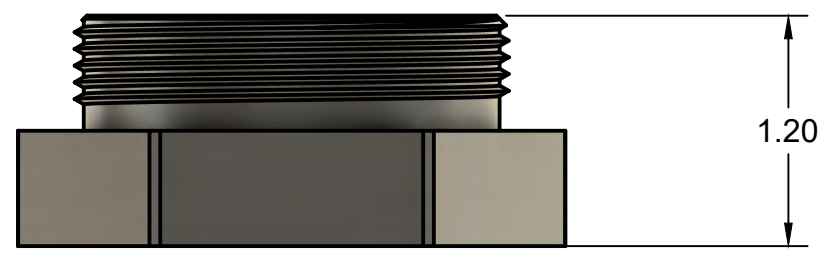
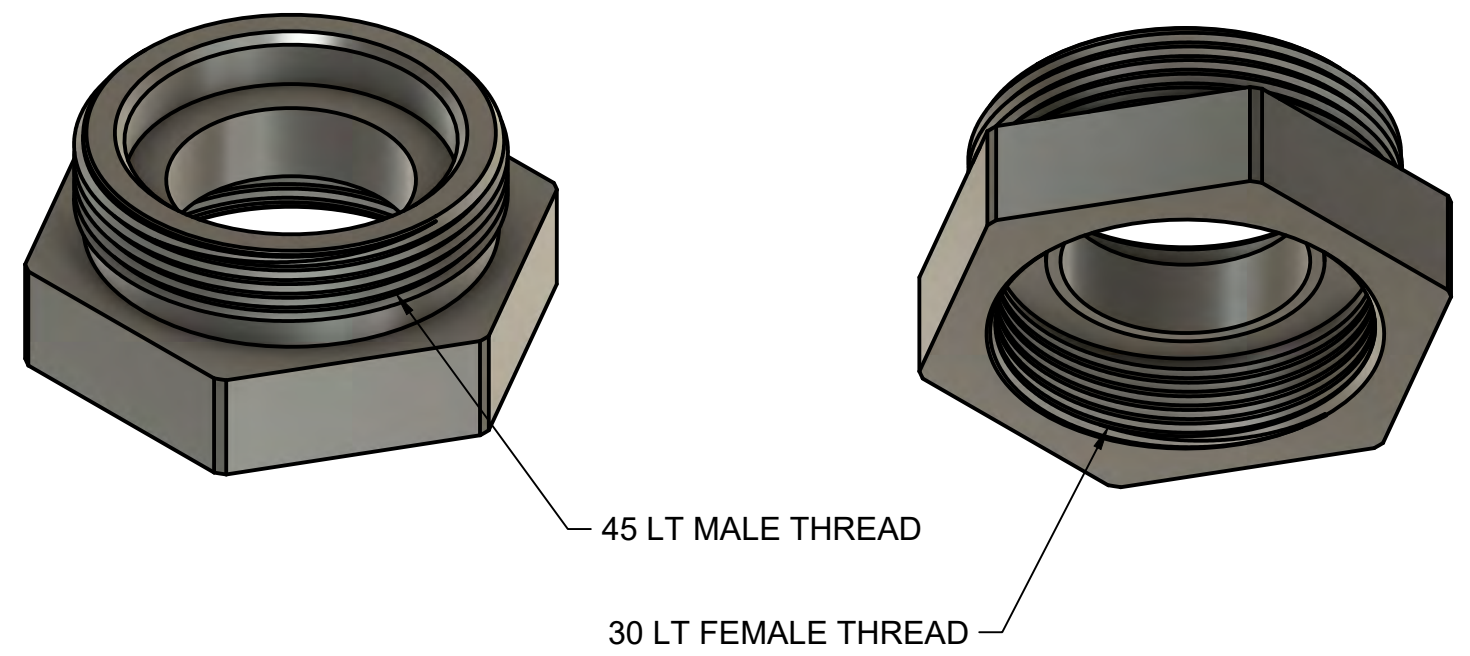
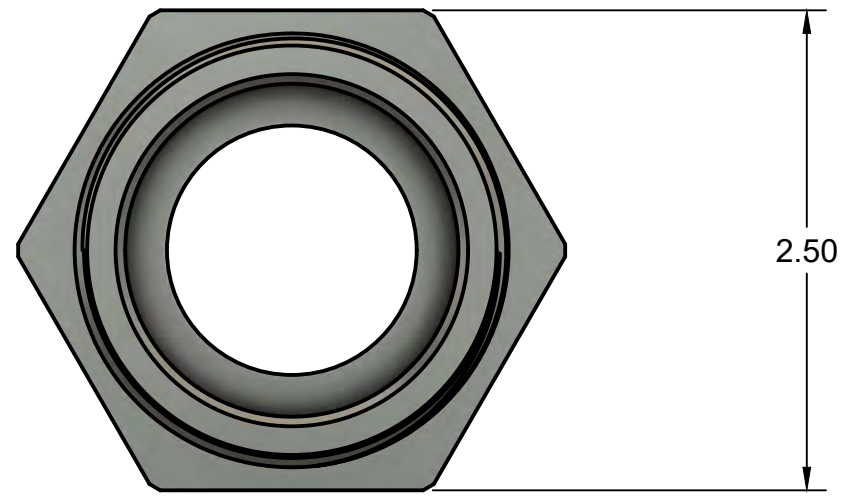


1 2 3 4 5 6 7 8 9 10 11 12

REVISION HISTORY

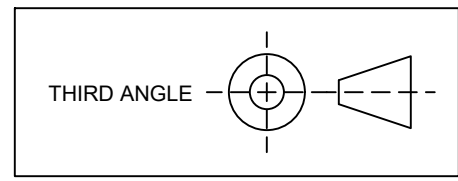
REV	DESCRIPTION	DATE	APPROVED
1	DRAWN IN FUSION	5/24/2024	GF



METER COUPLING ADAPTER 515 MANAGE:----

PROPRIETARY AND CONFIDENTIAL, THE INFORMATION CONTAINED IN THIS DRAWING IS THE SOLE PROPERTY OF IMAC SYSTEMS INC. ANY REPRODUCTION IN PART OR AS A WHOLE WITHOUT WRITTEN PERMISSION OF IMAC SYSTEMS IS PROHIBITED.

DRAWING IN ACCORDANCE WITH ASME Y14.5-2018. ALL DIMENSIONS IN INCHES



EXCEPT WHERE NOTED DIMENSIONS ARE IN INCHES
 TOLERANCES
 ANGULAR MACH: ±1°
 TWO PLACE DECIMAL: ±0.02
 THREE PLACE DECIMAL: ±0.005

MATERIAL STEEL
 FINISH CLEAR ZINC PLATE
 APPROVED
 CHECKED
 DRAWN Gordon Filmyer 5/24/2024

IMAC Systems, Inc.
 International Measurement and Control Systems
 IMAC Systems, Inc.
 90 Main Street
 Tullytown, PA 19007

TITLE
METER HUB ADAPTER 30 LT TO 45 LT

PURPOSE: CUSTOMER FACING DRAWING
 CHANGES:

SIZE	HEAT TREAT	DWG NO 2022975	REV 1
B		PART NO 515A0003	
SCALE 1:1		WEIGHT	SHEET 1/1