

P100SX Slam Shut Pressure Regulator

The P100SX slam shut pressure regulator is ideal for natural gas, air, propane, and general-purpose gas pressure regulation. The P100SX is a double stage regulator that can provide token relief, over pressure shut off, and under pressure shut off protection. The most common use is residential and light commercial systems.

Over Pressure Shut Off Device (OPSO) Feature

The P100SX regulator is equipped with an overpressure shutoff device which intervenes by closing the flow of gas when the downstream pressure exceeds a preset value.

Under Pressure Shut Off (UPSO) Option

The P100SX regulator can be equipped with an under pressure shutoff device which intervenes by closing the flow of gas when the downstream pressure falls below a preset value.



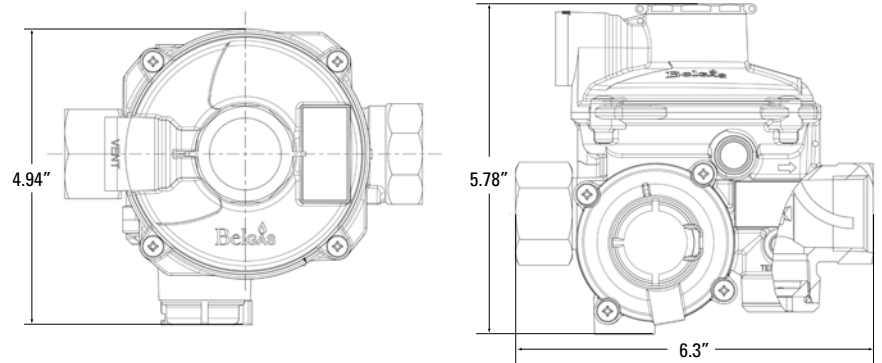
Materials of Construction

Body	Aluminum
Bonnet	Aluminum
Diaphragm-Double	Nitrile
Seat	Nitrile
Spring	Stainless Steel

Specifications

Inlet/Outlet	¾" x ¾", 1" x 1"
Maximum Allowable Inlet	125 PSI
Maximum Emergency	232 PSI
Temperature Range	-20 to 150°F
EN334 & EN 14382	

P100SX Standard



P100SX Ordering Options

P100SX					09	
	▲▲	▲▲▲	▲	▲	▲▲	Port Size
	06					0.75" NPT
	08					1.0" NPT
						Set Point
		007				7" W.C.
		002				2 PSI
						Safety Setup
			F			OPSO, Relieving
			G			OPSO, Non-Relieving
			H			OPSO/UPSO, Non-Relieving
						Port Orientation
				A		In/Out Horizontal
				D		In Vertical/Out Horizontal
					09	

7" w.c. Capacity Table (Limits: +2" / -1")

Inlet Pressure		2nd Stage Orifice Size: ½"
PSIG	BAR	SCFH
0.5	0.038	407
1	0.069	498
2	0.1	566
3	0.2	860
5	0.3	1177
10	0.7	1494
15	1.0	1593
20	1.4	1630
30	2.1	1630
40	2.8	1675
50	3.5	1675
60	4.1	1675
80	5.5	1675
100	6.9	1675
125	8.6	1675

2 PSI Capacity Table (Limits ±1% of Absolute Pressure)

Inlet Pressure		2nd Stage Orifice Size: ½"
PSIG	BAR	SCFH
3	0.2	634
5	0.3	1132
10	0.7	1449
15	1.0	1539
20	1.4	1539
30	2.1	1539
40	2.8	1539
50	3.5	1539
60	4.1	1539
80	5.5	1539
100	6.9	1539
125	8.6	1539

Inlet Size	1" NPT
Outlet Size	1" NPT
Spring Range	6" to 8" W.C.
OPSO Setting	16" W.C.
UPS0 Setting	3" W.C.
OPSO Range	11.5" to 18" W.C.
UPS0 Range	3" to 5.5" W.C.

Inlet Size	1" NPT
Outlet Size	1" NPT
Spring Range	1.5 to 2.5 PSI
OPSO Setting	4.5 PSI
UPS0 Setting	3" W.C.
OPSO Range	3.5 to 5.5 PSI
UPS0 Range	11.5" to 18" W.C.