

# PG 105 Line Pressure Regulator

PG 105 line pressure regulators are manufactured to supply the highest performance both as Line Pressure Regulators certified to ANSI Z21.80 CSA 6.22 and Gas Appliance Regulators certified to ANSI Z21.18 CSA 6.3 and feature precise regulating control. This model is available in fixed or adjustable outlet pressures where small adjustments can be made to the outlet pressure on installation with the appliance.

## Features

- Precise regulating control of both full flow and of pilot flows
- Nitrile rubber diaphragm and washer are resistant to combustible gases
- Die-cast aluminum housing
- Regulators are supplied with vent limiter

## Materials of Construction

|           |                  |
|-----------|------------------|
| Body      | Aluminum/Painted |
| Diaphragm | Nitrile          |
| Spring    | Steel            |

## Specifications

|                           |                               |
|---------------------------|-------------------------------|
| Inlet Pressure            | 2 PSIG and 5 PSIG             |
| Outlet Pressure Setting   | 7" - 11" W.C.                 |
| Gases                     | Natural Gas or Propane        |
| Pipe Size                 | 3/4" x 3/4" NPT - 1" x 1" NPT |
| Venting                   | Vent Limiter                  |
| Emergency Exposure Limits | 65 PSIG inlet side only       |
| Capacity Range            | 960,000 BTU/h                 |
| Working Temperature       | -40° to 205°F (-40° to 96°C)  |

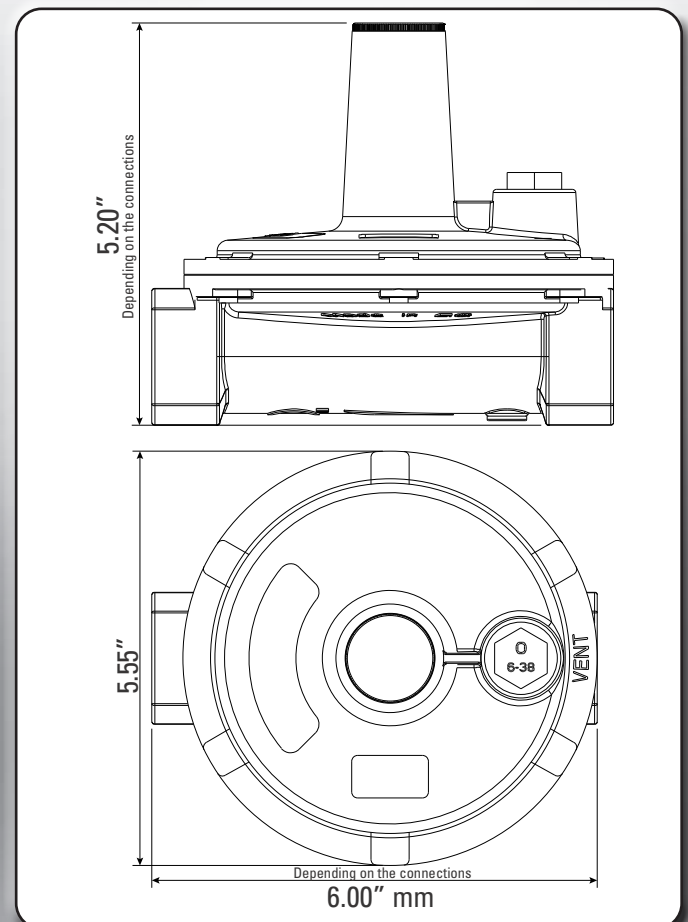


**ANSI/CSA CERTIFIED**

## Technical Note

For proper installation, the regulator must be installed in an upright position, as shown.

## PG 105 Dimensions



## PG 105 Part Matrix

Distributed by:  
**Linc Energy Systems, Inc.**  
[www.LincEnergySystems.com](http://www.LincEnergySystems.com)

|             |          |           |            |          |          |            |              |
|-------------|----------|-----------|------------|----------|----------|------------|--------------|
| <b>PG10</b> | <b>5</b> |           |            |          | <b>V</b> | <b>000</b> |              |
|             | ↑        | ↑↑        | ↑↑↑        | ↑        | ↑        |            | Diaphragm    |
|             | <b>5</b> |           |            |          |          |            | 5"           |
|             |          |           |            |          |          |            | Port Size    |
|             |          | <b>06</b> |            |          |          |            | 3/4"         |
|             |          | <b>08</b> |            |          |          |            | 1"           |
|             |          |           |            |          |          |            | Spring Range |
|             |          |           | <b>011</b> |          |          |            | 7 - 11" WC   |
|             |          |           |            |          |          |            | Inlet Rating |
|             |          |           |            | <b>2</b> |          |            | 2 PSI        |
|             |          |           |            | <b>5</b> |          |            | 5 PSI        |
|             |          |           |            |          |          |            | Vent Limiter |
|             |          |           |            |          | <b>V</b> |            | Yes          |

Capacities based on 1" W.C. pressure drop from set point 0.64 sp gr gas expressed in SCFH

| Outlet Pressure | Inlet Pressure |          |        |        |        |
|-----------------|----------------|----------|--------|--------|--------|
|                 | 1/2 PSIG       | 3/4 PSIG | 1 PSIG | 2 PSIG | 5 PSIG |
| 7" W.C.         | 364            | 403      | 447    | 517    | 645    |
| 8" W.C.         | 359            | 394      | 447    | 509    | 636    |
| 9" W.C.         | 342            | 381      | 430    | 500    | 636    |
| 10" W.C.        | 329            | 377      | 403    | 496    | 627    |
| 11" W.C.        | 302            | 360      | 372    | 473    | 614    |