

Protect Downstream Equipment

AMERICAN MADE.

THREADED 90 DEGREE T-STRAINER

WITH INTERNAL MESH SCREEN CYLINDER

HIGHLIGHTS

- Protect downstream equipment from dangerous debris such as loose scale, weld beads, grit, metal shavings, PTFE and other damaging foreign material
- Inexpensive protection for meters, regulators, valves, pumps and other mechanical equipment
- Highly effective and re-usable

FEATURES

- Easy to clean, blow down thru cap or remove screen and flush
- Quality construction, stainless steel screens with resilient poly-vinyl encapsulated trim ends
- Epoxy painted to help resist rust and corrosion
- Available in a range of filtration options (from coarse to fine)



MATERIALS*

Body: ASTM A197 Malleable Iron Fitting

Square Head Plug: ASTM A126 Cast Iron Fitting

Screen: Stainless Steel with Poly-vinyl Encapsulated Ends

Body Pressure/Temperature Rating: ASME B16.3

Body Class: ANSI 150

Plug Pressure/Temperature Rating: ASME B16.3

Plug Class: ANSI 125

OPTIONS

- 1/4" Pressure Port
- Steel Plug
- Pete's Plug® Installed for Pressure/Temperature Readings
- Valve Installed for Blow Off

* Materials represent standard materials, equivalent or better materials may be substituted at the manufacturer's discretion.



International Measurement and Control Systems

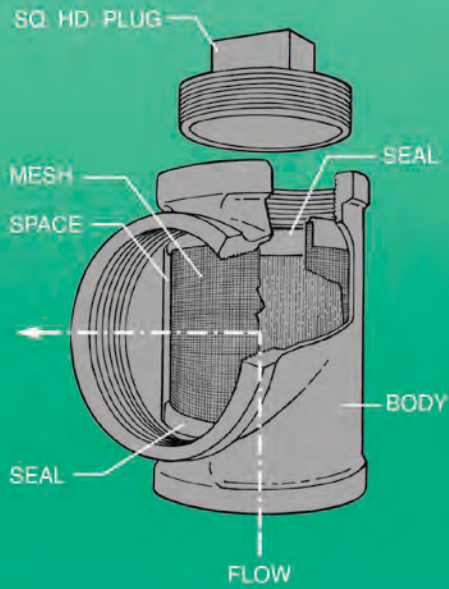
90 Main Street, PO Box 1605 • Tullytown, PA 19007

1-800-955-4GAS • Phone: (215) 946-2200 • Fax: (215) 943-2984

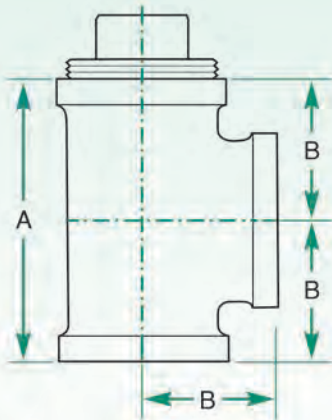
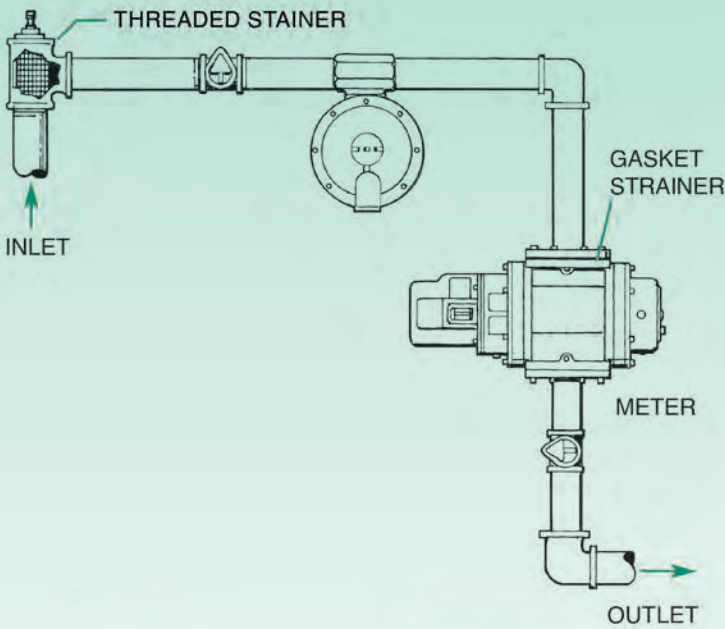
Email: sales@imacsystems.com www.imacsystems.com

Distributed by:
Linc Energy Systems
www.LincEnergySystems.com

THREADED 90° T-STRAINER



TYPICAL INSTALLATION



DIMENSIONS*

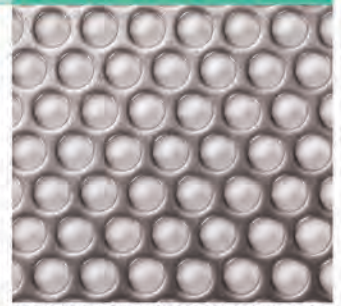
	A	B
3/4"	2 ⁵ / ₈ "	1 ⁵ / ₁₆ "
1"	3"	1 ¹ / ₂ "
1 ¹ / ₄ "	3 ¹ / ₂ "	1 ³ / ₄ "
1 ¹ / ₂ "	3 ⁷ / ₈ "	1 ¹⁵ / ₁₆ "
2"	4 ¹ / ₂ "	2 ¹ / ₄ "
3"	6 ¹ / ₈ "	3 ¹ / ₁₆ "
4"	7 ⁵ / ₈ "	3 ¹³ / ₁₆ "

* Dimensions are for reference only, when required request drawings for actual dimensions.

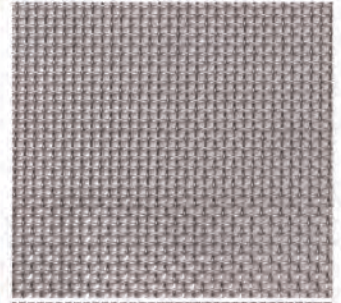
MESH SPECS

ACTUAL SIZE

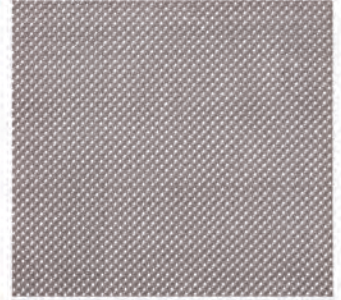
3/16" DIAMETER PERFORATED
51% Open Area
0.1875" Openings



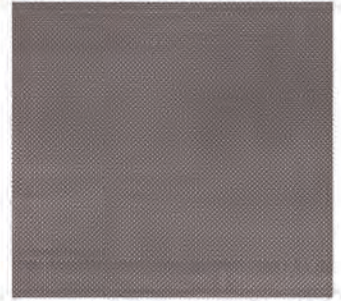
20 MESH
49% Open Area
0.035" Openings



40 MESH
41% Open Area
0.016" Openings



60 MESH
38% Open Area
0.010" Openings



80 MESH
36% Open Area
0.008" Openings



100 MESH
30% Open Area
0.006" Openings

