

Protect Downstream Equipment

AMERICAN MADE.

Distributed by:

Linc Energy Systems

www.LincEnergySystems.com

FLANGED 90 DEGREE T-STRAINER

WITH INTERNAL MESH SCREEN CYLINDER

HIGHLIGHTS

- Protect downstream equipment from dangerous debris such as loose scale, weld beads, grit, metal shavings, PTFE and other damaging foreign material
- Inexpensive protection for meters, regulators, valves, pumps and other mechanical equipment
- Highly effective and re-usable

FEATURES

- Epoxy painted to help resist rust and corrosion
- Quality construction, stainless steel screens with resilient poly-vinyl encapsulated trim ends
- Easy to clean, blow down thru cap or remove screen and flush
- Available in a range of filtration options (from coarse to fine)

MATERIALS*

Body: ASTM A126 Malleable Iron Fitting

Flange: ASTM A105 Carbon Steel Blind Flange

Bolts: PTFE Coated Grade 5 Bolts

Screen: Stainless Steel with Poly-vinyl Encapsulated Ends

NPT Plug: Steel

Pressure/Temperature Rating: ASME B16.1/B16.5

Class: ANSI 125

OPTIONS

- Pete's Plug® Installed for Pressure/Temperature Readings
- Valve Installed for Blow Off

* Materials represent standard materials, equivalent or better materials may be substituted at the manufacturer's discretion.



International Measurement and Control Systems

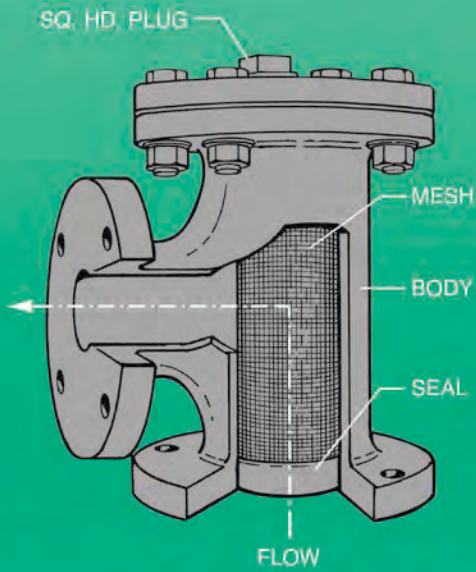
90 Main Street, PO Box 1605 • Tullytown, PA 19007

1-800-955-4GAS • Phone: (215) 946-2200 • Fax: (215) 943-2984

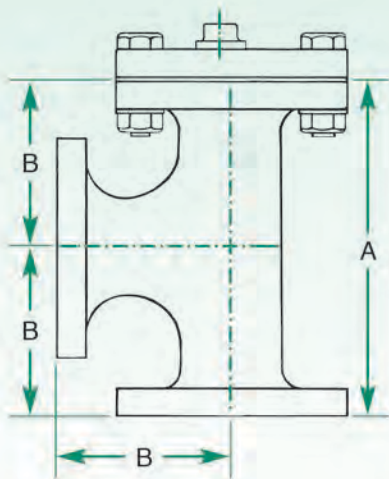
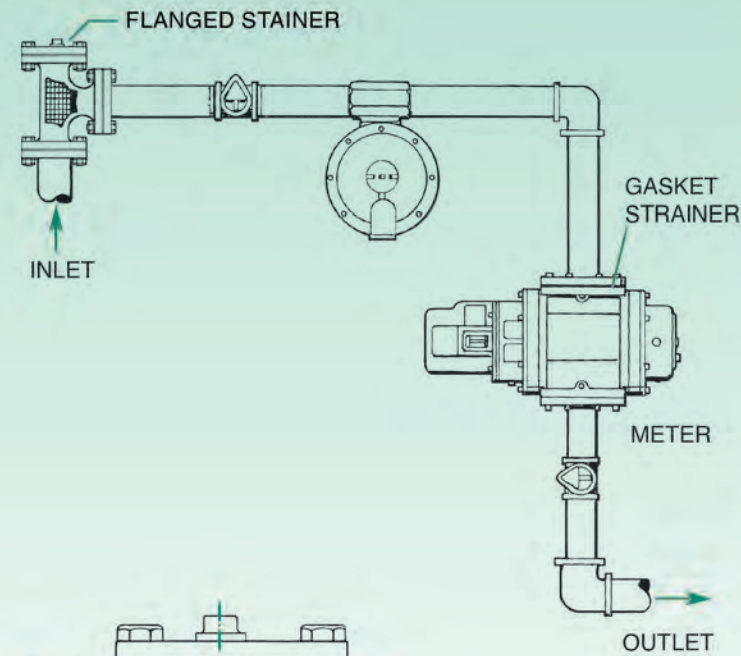
Email: sales@imacsystems.com

www.imacsystems.com

FLANGED 90° T-STRAINER



TYPICAL INSTALLATION



DIMENSIONS*

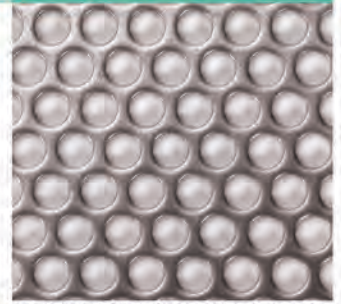
	A	B
1 1/2"	8"	4"
2"	9"	4 1/2"
3"	11"	5 1/2"
4"	13"	6 1/2"
6"	16"	8"

* Dimensions are for reference only, when required request drawings for actual dimensions.

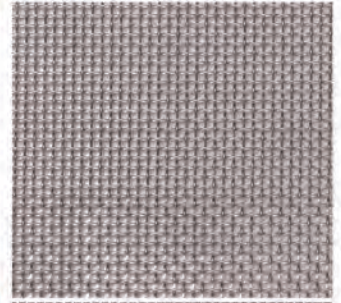
MESH SPECS

ACTUAL SIZE

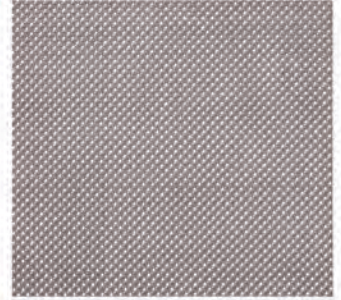
3/16" DIAMETER PERFORATED
51% Open Area
0.1875" Openings



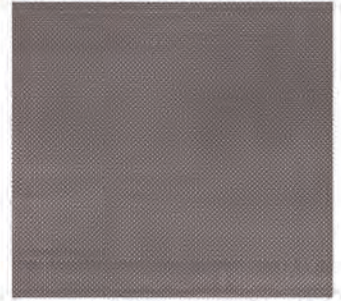
20 MESH
49% Open Area
0.035" Openings



40 MESH
41% Open Area
0.016" Openings



60 MESH
38% Open Area
0.010" Openings



80 MESH
36% Open Area
0.008" Openings



100 MESH
30% Open Area
0.006" Openings

