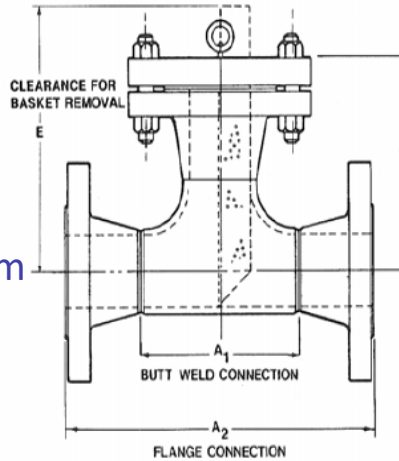


IMAC Systems, Inc
Weld x Weld Fabricated Tee Strainer

Distributed by:
 Linc Energy Systems
www.LincEnergySystems.com



Class 150

Nominal Size (in)	A1 (in)	C (in)	E (in)
2	5	5-3/4	13
3	6-3/4	7-1/8	14
4	8-1/4	8-1/8	16
6	11-1/4	10-1/8	22
8	14	12-1/8	25
10	17	13-3/4	29
12	20	15-3/4	31
16	24	18-1/2	41
20	30	22-3/8	51
24	34	24-7/8	56

Class 300

Nominal Size (in)	A1 (in)	C (in)	E (in)
2	5	6-1/8	13
3	6-3/4	7-5/8	14
4	8-1/4	8-3/4	16
6	11-1/4	11	22
8	14	13	25
10	17	15	29
12	20	17-1/8	31
16	24	20	41
20	30	23-7/8	51
24	34	26-3/8	56

Class 600

Nominal Size (in)	A1 (in)	C (in)	E (in)
2	5	6-7/8	12-1/4
3	6-3/4	8-3/8	15-1/4
4	8-1/4	10-1/8	18-3/4
6	11-1/4	12-5/8	24
8	14	15	29
10	17	17-1/2	34-1/2
12	20	19-1/4	38-3/4
16	24	22-1/2	46-1/2
20	30	26-1/2	55-1/2
24	34	29-1/2	62-1/2