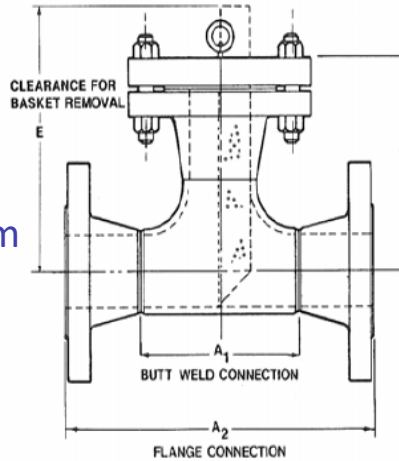


**IMAC Systems, Inc**  
**Flange x Flange Fabricated Tee Strainer**

Distributed by:  
 Linc Energy Systems  
[www.LincEnergySystems.com](http://www.LincEnergySystems.com)



**Class 150**

Nominal Size (in)	A2 (in)	C (in)	E (in)
2	10	5-3/4	13
3	12-1/4	7-1/8	14
4	14-1/4	8-1/8	16
6	18-1/4	10-1/8	22
8	22	12-1/8	25
10	25	13-3/4	29
12	29	15-3/4	31
16	34	18-1/2	41
20	41-3/8	22-3/8	51
24	46	24-7/8	56

**Class 300**

Nominal Size (in)	A2 (in)	C (in)	E (in)
2	10-1/2	6-1/8	13
3	13	7-5/8	14
4	15	8-3/4	16
6	19	11	22
8	22-3/4	13	25
10	26-1/4	15	29
12	30-1/4	17-1/8	31
16	35-1/2	20	41
20	42-3/4	23-7/8	51
24	47-1/4	26-3/8	56

**Class 600**

Nominal Size (in)	A2 (in)	C (in)	E (in)
2	11-1/4	6-7/8	12-1/4
3	13-3/4	8-3/8	15-1/4
4	16-3/4	10-1/8	18-3/4
6	21	12-5/8	24
8	25	15	29
10	29-1/2	17-1/2	34-1/2
12	32-3/4	19-1/4	38-3/4
16	38-1/2	22-1/2	46-1/2
20	45-1/2	26-1/2	55-1/2
24	50-1/2	29-1/2	62-1/2