

# Domestic

## METER PULSER



### ECONOMICAL METHOD TO OBTAIN PULSE OUTPUT FROM METERS WITH A FRONT MOUNTED INDEX.

- Fits American 175 thru 630 Meters, (Rockwell) 175 thru 415 Meters and all Schlumberger (Sprague) Diaphragm Meters. **Will install on any front mount meter index including laboratory test meters**
- Rugged machined Aluminum
- Sealed construction with internal stainless steel components
- Designed to resist tampering

### Available in the following outputs:

- 2 Pulse/Revolution (Standard)
- 1 Pulse/Revolution
- 10 Pulse/Revolution
- 500 Pulse/Revolution
- 1000 Pulse Revolution

### Ordering Information:

Domestic Meter Pulsers are supplied pre-mounted to the meter index window at the factory. This results in quick, easy installation.

When ordering please identify the meter's model number (i.e. AC250, S250...) and indicate the type of register on the meter.

The pulse value is determined by the Domestic Meter Pulser selection and the dial to which it is coupled.

### Example:

- AC 250 with odometer type index and  $\frac{1}{2}$ ft.<sup>3</sup>, 2 ft.<sup>3</sup> test dials.
- 2 pulse per rev Domestic Meter Pulser mounted to the 2 ft.<sup>3</sup> test dial results in 1 pulse / ft<sup>3</sup>

### Application Examples:

Data Acquisition  
Remote Totalization  
Load Monitoring thru recording devices



**Systems Inc.**

International Measurement and Control Systems

Manufacturers/Distributors of  
Precision Gas Measurement Equipment

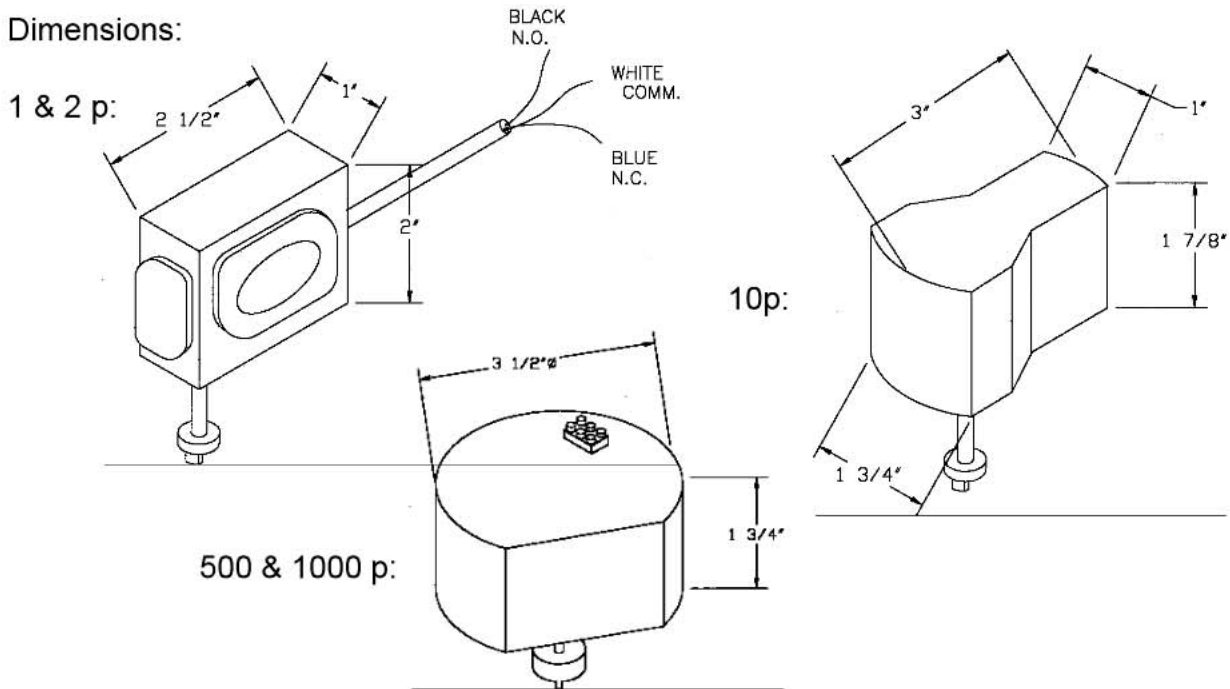
### IMAC SYSTEMS, INC.

90 MAIN ST. • P.O. BOX 1605 • TULLYTOWN, PA 19007 • 1-800-955-4GAS (4427) • Tel. (215) 946-2200 • FAX. (215) 943-2984  
www.imacsystems.com • e-mail: sales@imacsystems.com

Distributed by:

# Technical Data

Dimensions:



\* Available option 1/2" N.P.T. Conduit Adaptor

**Form C Output Standard**  
1, 2, 10 pulses/rev.

**Form A output Optional**  
1, 2, 10 pulses/rev.

**500 - 1000 Pulses/Rev.**

### Electrical Characteristics

Contact Rating Watts Max	3
Switching VDC Max	175
Voltage Breakdown VDC Min	200
Current Switching AMPS Max	0.250
Resistance Contact Initial OHMS Max	0.200

### Operating Characteristics

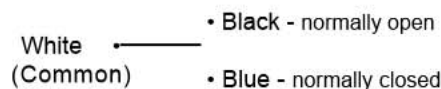
Operate Time ms Typical	0.7
Operating Temp Degrees C	-40 to +105

### Load/Life (millions of operations)

Load Operations	5 VDC, 10ma/50 million
Load Operations	24 VDC, 250ma 1/2 million

NOTE:  $W = V \times A$

### Wiring Diagram



Form C

### Electrical Characteristics

Contact Rating Watts Max	10
Switching VDC Max	300
Voltage Breakdown VDC Min	450
Current Switching AMPS Max	0.500
Resistance Contact Initial OHMS Max	0.200

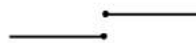
### Operating Characteristics

Operate Time ms Typical	0.6
Operating Temp Degrees C	-20 to +105

### Load/Life (millions of operations)

Load Operations	5 VDC, 10ma/100 million
Load Operations	24 VDC, 250ma 50 million

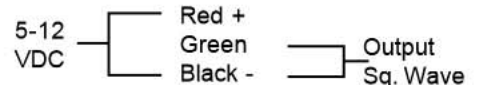
### Wiring Diagram



Form A

Electronic output featuring a high-resolution precision encoder whose signal is processed and amplified thru a special circuit. 5-12 V DC power supply generates an output square wave equal to the supply voltage. Ideal for applications requiring high frequency outputs and/or high resolution counts.

### Wiring Diagram



International Measurement and Control Systems

Manufacturers/Distributors of  
Precision Gas Measurement Equipment

**IMAC SYSTEMS, INC.**

90 MAIN ST. • P.O. BOX 1605 • TULLYTOWN, PA 19007

1-800-955-4GAS (4427) • Tel: (215) 946-2200 • FAX: (215) 943-2984  
 www.imacsystems.com • e-mail: sales@imacsystems.com