

MODEL 5220

Thermoelectric Generator

The Model 5220 Thermoelectric Generator contains no moving parts. It is a reliable, low-maintenance source of DC electrical power for any application where regular utilities are unavailable or unreliable.

KEY DESIGN FEATURES:

- ✘ Automatic Spark Ignition (SI)
- ✘ Automatic Fuel Shut-Off (SO)
- ✘ Fuel Filter
- ✘ Low Voltage Alarm Contacts (VSR)
- ✘ Volt & Amp Meter
- ✘ Reverse Current Protection

OPTIONAL FEATURES:

- ✘ Cathodic Protection Interface
- ✘ Pole Mount or Bench Stand
- ✘ Corrosive Environmental Fuel System
- ✘ Marine Service
- ✘ Certification to CSA Std. T.I.L. R-10



Power Specifications	Power Rating at 20°C:
	195 Watts @ 12 Volts
	178 Watts @ 24 Volts

Electrical	Output Adjustment Range:
	12 V 12–18 Volts
	24 V 24–30 Volts

Output: Terminal block which accepts up to 8 AWG wire.
Opening for 3/4" conduit in base of cabinet.

Fuel Requirements	Natural Gas:
	19.7m ³ /day (700 Sft ³ /day)
	1000 BTU/Sft ³ (37.7 MJ/Sm ³) gas
	max 115 mg/Sm ³ (~170 ppmw) H ₂ S
	max 120 mg/Sm ³ H ₂ O
	max 1% free O ₂
	Propane:
	28.0 l/day (7.4 US gal/day)

Max. Supply Pressure: 345 kPa (50 psi)
Min. Supply Pressure: 165 kPa (24 psi)
Fuel Connection: 1/4" MNPT

Environmental	Ambient Operating Temperature:
	Max. +45°C (115°F)
	Min. -40°C (-40°F)
	Operating Conditions:
	Unsheltered operation

Please contact GPT for operating conditions below -40°C or above +45°C.

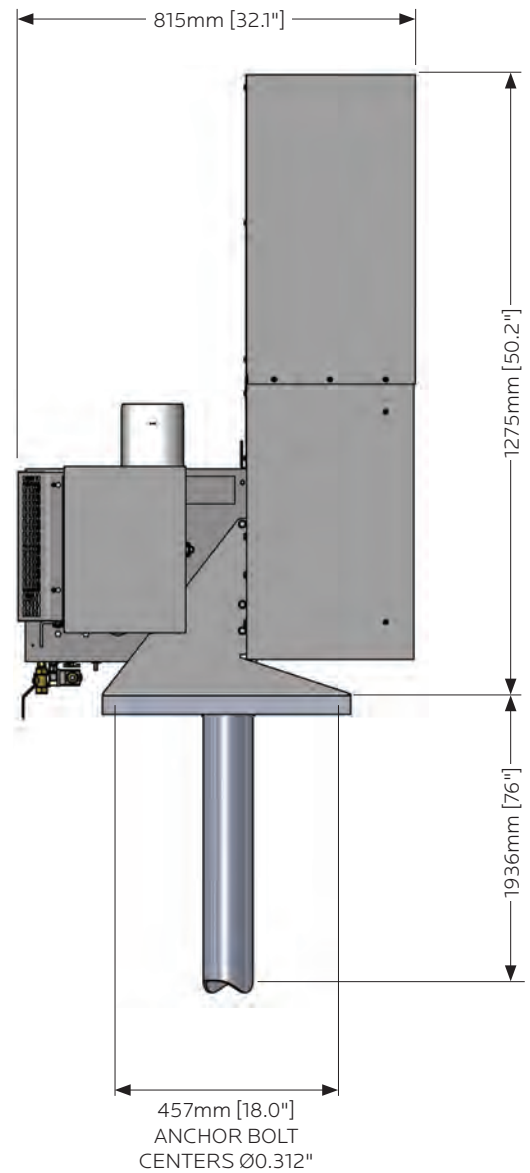
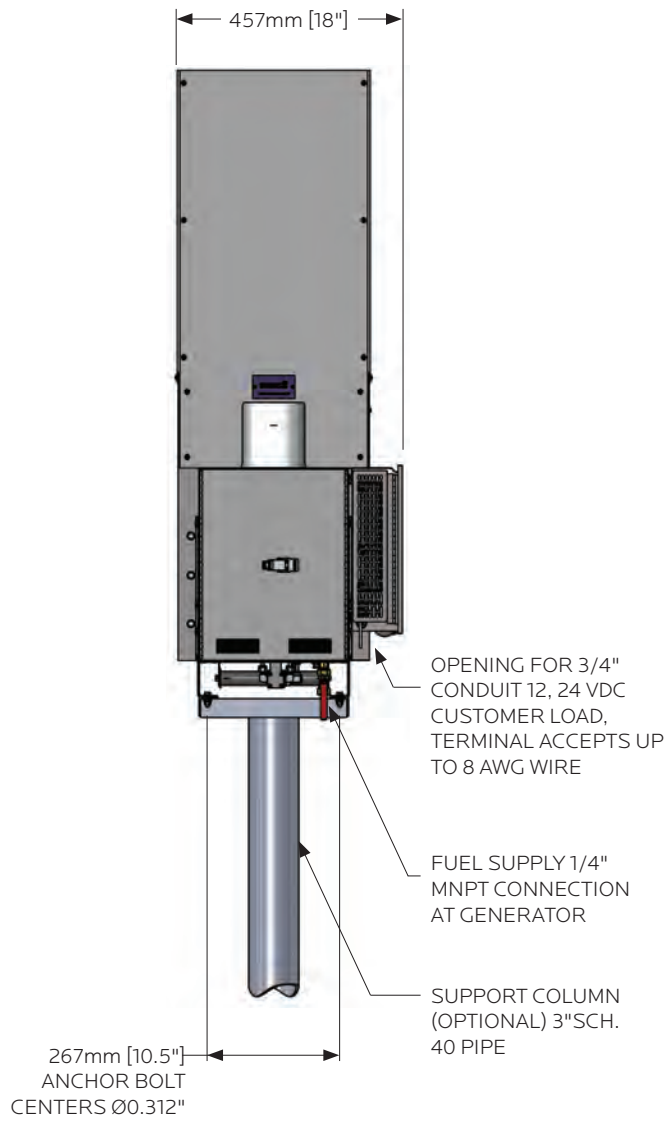
Construction	Materials:
	Cabinet: 304 Stainless Steel (SS)
	Cooling Type: Natural Convection
	Fuel System: Brass, Aluminum & Stainless Steel

Note:

Specifications shown are for standard 5220 configurations. Gentherm Global Power Technologies (GPT) also offers customized products and systems to accommodate custom voltages, fuel supply systems and operating temperatures.

Specification data stated in this document is subject to change without notice. To verify these specifications are current, please contact your GPT sales representative.

P 403 236 5556
E gptsales@gentherm.com
W www.genthermglobalpower.com



NOTES:

Generator Weight: 97 kg [214 lb]

Model: 5220



Gentherm Global Power Technologies

p 403 236 5556
e gptsales@gentherm.com
w genthermglobalpower.com

16, 7875 – 57 Street SE
Calgary, Alberta, Canada T2C 5K7

Authorized Distributor:

Linc Energy Systems, Inc.
www.LincEnergySystems.com