

Mercury Pulse Accumulator®



The Pulse Accumulator from Mercury Instruments—a user friendly solution for your basic pulse data collection requirements, with quality, service and warranty to back it up.



Complete and Precise Pulse Data and Consumption from Mercury Instruments Inc.

Mercury Instruments – your provider of quality correctors and recorders for over 50 years now has the Pulse Accumulator you've been waiting for. Designed to be a wall mounted, battery powered electronic recorder of low frequency pulses, this new product by Mercury can meet your basic data collection needs via modem and various forms of wireless technology. Maximum performance and value with precision and reliability.

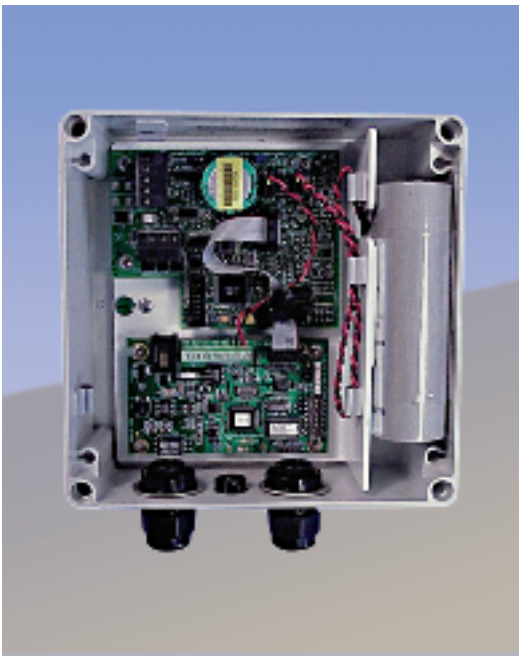
Additional Value Features:

- **2 channel Input:** two separate pulse sources able to connect to either channel
- **Call Out or Call In:** host or instrument initiated calls
- **Low power requirements:** 3 plus years on four D-cell alkaline batteries
- **Shared phone line capability:** configurable for line share/line surrender
- **Audit Trail Capacity:** 41 days of hourly/4 user specified log items
- **Durable yet convenient case:** composite material designed to combat the environment
- **Friendly size:** 7.6" x 7.11" x 4.37"
- **Multi vendor data collection compatibility**
- **Wireless communications availability:** CDMA, GPRS/GSM, satellite, cellular control channel, radio
- **Power Control:** for battery modem operation



Mercury Instruments, Inc.
Manufacturer of Precision Instruments

Mercury Pulse Accumulator[®]



Specifications:

Model: Mercury Instruments Inc. Pulse Accumulator

Environmental: -40F to +150F
R.H. 0-100% Non-Condensing

Hazardous Rating: CSA/CUS Div 2, Groups C and D

Communications: 2400/1200 baud rate
-Call out (host initiated)
-Call in (instrument initiated)

Software: Mercury Masterlink, Autolink and third party providers

Power Supply: Four D-cell alkaline batteries with 3 year life.

Data Inputs: Two Form A Input Channels

	FW Filter ON	FW Filter OFF
<i>Min on pulse width:</i>	150 mS	40 mS
<i>Min off pulse width:</i>	150 mS	60 mS
<i>Max bounce time:</i>	10 mS	2 mS
<i>Max frequency:</i>	3 Hz, 50% DC	10 Hz, 40 % DC

Memory: 41 days of hourly/4 user specified log items

Firmware: Field upgradeable via Flash Program Memory

Pulse Transmitters:

Full temp range

Max wetting current provided = 35 microamps

Max transmitter leakage current = 7 microamps

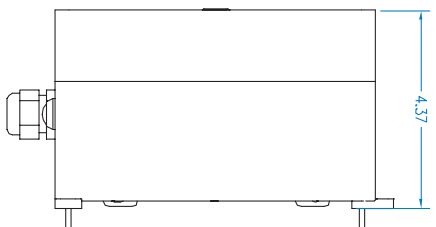
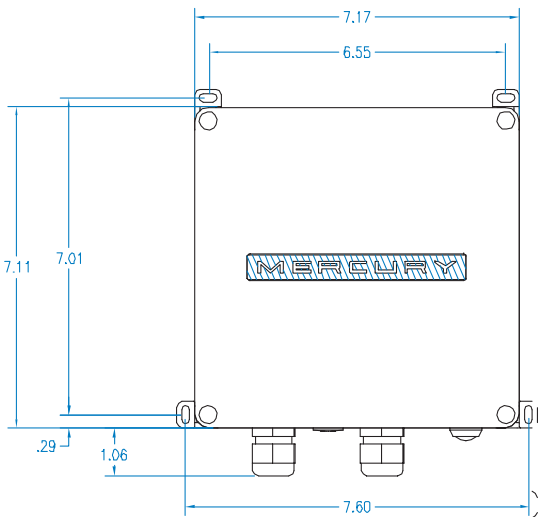
Max Pulser + Line Resistance = 200 ohms

Max line length = 300 feet

Enclosure: Screw Cover, NEMA-4 Polycarbonate

Weight: 3.7lb

Wall Mount



Mercury Instruments, Inc.

Manufacturer of Precision Instruments

3940 Virginia Ave. • Cincinnati, Ohio 45227 USA
(513) 272-1111 • (513) 272-0211 (fax)

www.mercuryinstruments.com • e-mail: info@mercuryinstruments.com