

Model 98 Multi-Speed Battery Operated Chart Drive

The Model 98 Multi-Speed Battery Operated Chart Drive is the ideal replacement for all makes of key wind and battery operated chart drives. Utilizing a time-proven quartz movement having eight (8) programmable rotations, the basic unit has a C-cell battery to power the movement. Three optional power supplies are available, each using a D-cell battery for longer periods of operation between battery changes. The Model 98 carries Mercury Instruments' two year warranty.

Rugged Construction

Good measurement accuracy demands a well-centered chart without side play in the shaft. The solid, durable aluminum housing maintains exact chart position with the drive shaft aligned by precision bearings and the chart hub concentrically machined to a very close tolerance.

Multi-Speed Movement

The solid state, quartz-timed movement has eight (8) programmable rotations: 1, 2, 4, 7, 8, 16, 31 or 32 days per chart revolution. To change rotation, merely pull out a small plug and reposition it in its socket. The movement is held firmly in place by two captive mounting screws, making field maintenance or replacement simple and sure.

Multi-Mount Adaptor Plate

The base of the chart drive housing is a Multi-Mount adaptor plate with three captive screws to mount on the standard posts in any Mercury Instruments recorder. It also has holes to adapt to many American, Barton, Bristol, Foxboro and other recorder configurations. Adaptor posts or spacers may be required in some recorders. The height of the chart hub may be adjusted for small variations in height dimension.

Intrinsically Safe

The Model 98 is Listed by Underwriters' Laboratories and Canadian Standards Association as intrinsically safe for Class I, Groups A, B, C and D locations; that is, any explosive gas atmosphere.

Battery Power Supply

A C-cell alkaline battery mounts directly in the movement housing. An optional power pack adaptor plugs into the battery compartment allowing connection of these UL and CSA Listed Mercury Instruments power packs:

- Standard D-cell power pack (used on Model 99)
- Sealed alkaline D-cell power pack (disposable)
- Sealed lithium D-cell power pack (disposable)

For more information contact your Mercury Instruments representative.



Mercury Instruments, Inc.
3940 Virginia Avenue
Cincinnati, Ohio 45227
(513) 272-1111
FAX: (513) 272-0211

Specifications

- Hazardous Location UL and CSA Listed
Intrinsically safe; Class I,
Groups A, B, C and D
- Temperature Limits -20 F to 140 F (-29 C to
60 C)
- Rotation Speeds 1, 2, 4, 7, 8, 16, 31 or
32 days
- Timing Accuracy ± 10 seconds per day
- Materials Anodized aluminum
housing
Stainless steel drive
shaft
Stainless steel captive
screws
Nickel plated brass hub
- Torque 15 inch-ounces
- Battery Life (7 day or
longer rotation) Alkaline C-cell: 2 years
Alkaline D-cell: 2 years
Lithium D-cell: 5 years
- (24 hour rotation) Alkaline C-cell: 6 months
Alkaline D-cell: 1 year
Lithium D-cell: 3 years

Ordering Information

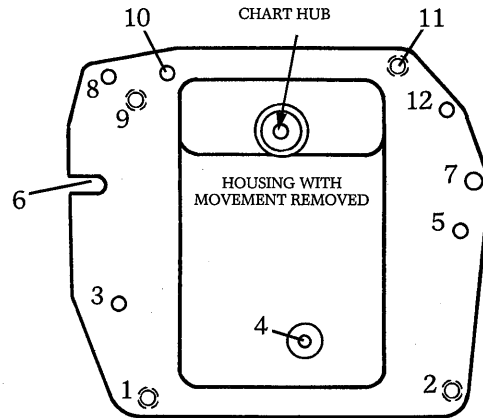
To order, specify Mercury Instruments Model 98 Battery Operated Multi-Speed Chart Drive with standard C-cell alkaline battery or optional power pack adaptor and selection of one of these power packs.

- Standard D-cell
- Sealed alkaline D-cell
- Sealed lithium D-cell

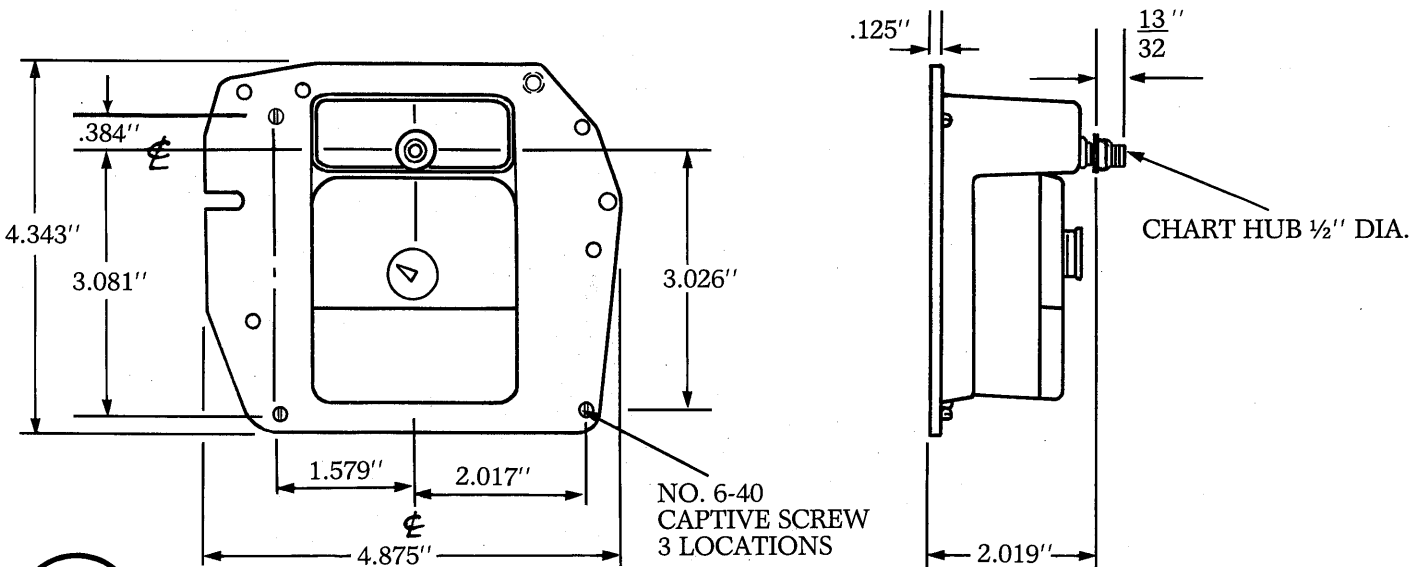
NOTE: Mounting posts may be necessary for some recorders. Refer to mounting arrangements below:

Mounting Arrangements

Recorder	Use Mounting Holes	Mounting Post Length
American Meter	1,2,9 or 2,9,11	WC-277 (.385")
Barton	1,2,9 or 2,9,11	WC-183 (.510")
Bristol	2,9,11	WC-183 (.510")
Foxboro	4,8,11 or 3,5,10 or 6,7	None
Mercury	1,2,9	None
Rockwell	1,2,9,12	WC-183 (.510")



Dimensions



Mercury Instruments, Inc., 3940 Virginia Avenue, Cincinnati, Ohio 45227, (513) 272-1111, FAX: (513) 272-0211