

METRIS Parts List

Putting knowledge to work.



This is a comprehensive catalog of the residential meter parts for Itron, Inc. It contains parts used in current production. **All parts information and descriptions in this document are believed to be accurate, but are not guaranteed. Some parts may not be backward compatible with older versions of the product type.** For information on part numbers, descriptions or assemblies in previous models of Sprague, Schlumberger or Actaris meters, contact customer service at 800-490-0657.

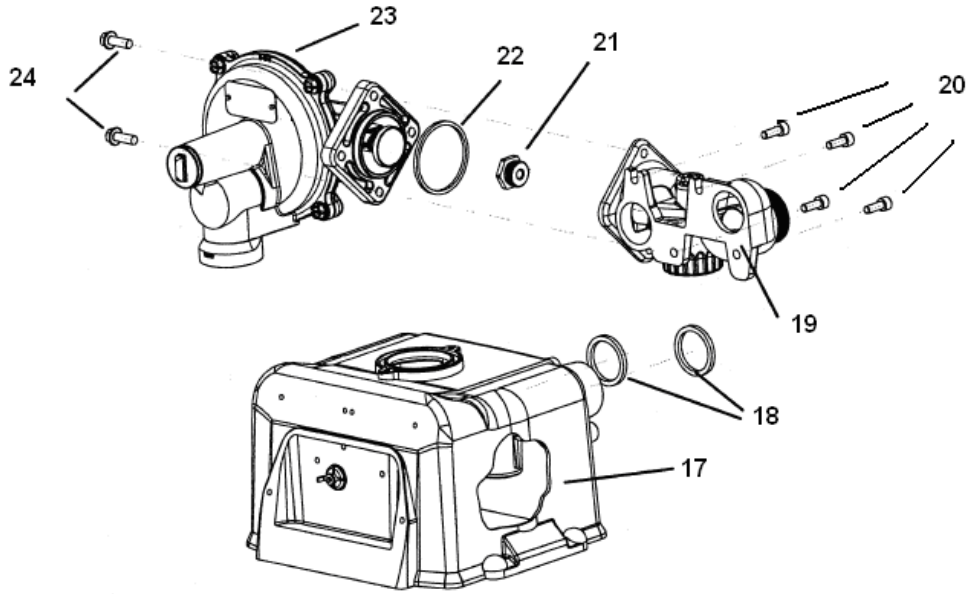
Parts list effective March 2010. For pricing, contact Customer Service. Prices are USD and subject to change without notice. Taxes are extra. FOB Owenton, KY. Minimum order is \$100.

Table of Contents

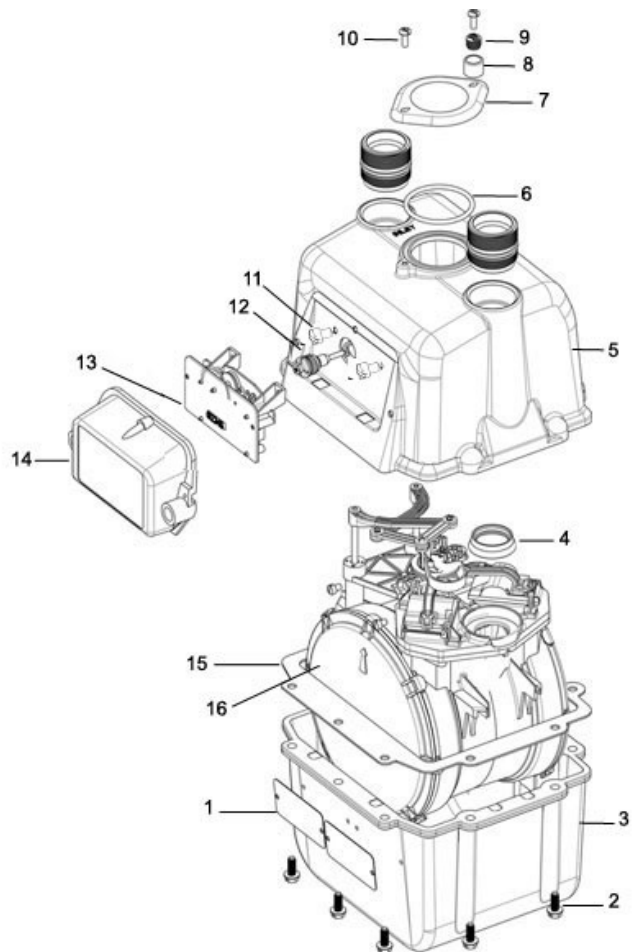
Meter Top Assembly 6"	- 7 -
Meter Bottom Casting	- 7 -
Index Cover	- 7 -
Case Gasket	- 7 -
Outlet Seal.....	- 7 -
Badge and Rivet.....	- 7 -
Hand-hole Cover	- 7 -
O-Ring Hand-hole Cover.....	- 7 -
IDM Assembly	- 7 -
Index.....	- 8 -
Drive Dog	- 8 -
Security Seal Cup	- 8 -
Security Seal Cap	- 8 -
Center Module.....	- 8 -
Flag Arm Link	- 8 -
Valve Cover Guide	- 8 -
Tangent Adjustment Assembly	- 8 -
Gear Shaft, Helical Worm	- 9 -
Valve Cover.....	- 9 -
Screws.....	- 9 -
Retaining Clip	- 9 -
Meter Connections	- 10 -
10 LT Swivels	- 10 -
10 LT Connection Nut	- 10 -
10 LT Connection Nut Washer.....	- 10 -
1A Sprague Swivels	- 10 -
1A Sprague Connection Nut	- 10 -
1A Sprague Connection Nut Washer.....	- 10 -
1-1/4" 1" Pittsburgh) Swivels	- 11 -
1-1/4" (1" Pittsburgh) Connection Nut	- 11 -
1-1/4" (1" Pittsburgh) Connection Nut Washer.....	- 11 -
20 LT Swivels	- 11 -
20 LT Connection Nut	- 11 -
20 LT Connection Nut Washer.....	- 11 -

30 LT Swivels	- 12 -
30 LT Connection Nut	- 12 -
30 LT Connection Nut Washer	- 12 -

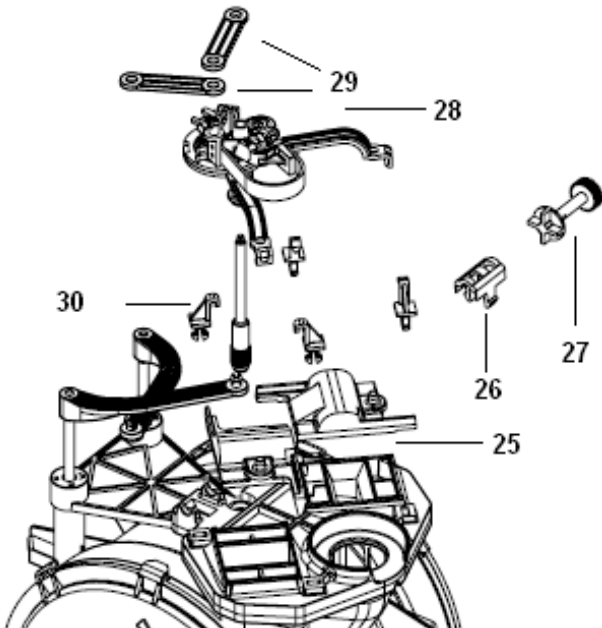
METRIS RM/MB



METRIS 250



METRIS MEASUREMENT MODULE



Item No.	Part No.	Quantity			Description	Item No.	Part No.	Quantity			Description	
		6"	RM	MB				6"	RM	MB		
1		1	1	1	Manufacturing badge	16		1	1	1	Module assembly	
	091055				Badge NTC 5# MAOP		019201NEW				NTC ft ³	
	091056				Badge TC 5# MAOP		091203NEW				TC ft ³ (shown)	
	091414				Badge NTC 10# MAOP		091205NEW				NTC m ³	
	091415				Badge TC 10# MAOP		091206NEW				NTC m ³ - reverse stop	
	091130				Badge TC, metric		091207NEW				TC m ³	
	091131				Badge METRIS NTC, metric	17	091343				Top case assembly RM/MB	
	017034				Customer badge (blank)	18	091421		2	2	Manifold seals	
	091444				Rivet 1/8x.254	19			1	1	RM manifold assembly includes manifold, inlet, & hub, (regulator included with RM only)	
2	755304	10	10	10	Case screw		091221				3/4" Inlet - #1 Sprague standard	
3	091334-001	1	1	1	Bottom case with badge holes		091223				3/4" Inlet - 10 LT	
4	091054	1	1	1	Outlet seal		091225				3/4" Inlet - 20 LT	
5		1			Top case assembly - 6" includes casting, IDM assembly & hubs		091231					1" Inlet - #1 Sprague standard
	091371-002				6" - #1 Sprague standard		091232				1" Inlet - 10 LT	
	091372-002				6" - 30 LT		091233				1" Inlet - 20 LT	
	091373-002				6" - 20 LT	20	091103		4	4	Manifold Screws	
	091374-002				6" - 10 LT	21	Call Itron, Owenton, KY		1		Orifice	
	091375-002				6" - 1-1/4" (1" Pittsburgh)	22	765605		1	1	MB plate/regulator seal	
	091389-002				6" - 1-1/4" (ISO G)	23	Call Itron, Owenton, KY				B42R regulator without valve body	
6	091007	1	1	1	O-ring hand-hole cover	24	755304		2	2	Retainer plate screws	
7	091006	1	1	1	Hand-hole cover	25	091040	1	1	1	Valve cover (lapped) - rear	
8	091061	1	1	1	Seal cup		091041	1	1	1	Valve cover (lapped) - front	
9	017167	2	2	2	Security seal cap (red)	26	091053	1	1	1	Retaining clip	
10	091096	2	2	2	Hand-hole cover screws	27		1	1	1	Gear helical worm	
11	010040	2	2	2	Index mounting screws		091135				Metric - m ³	
12	091460	1	1	1	IDM assembly		091045				Cubic feet - ft ³	
13		1	1	1	Index	28		1	1	1	Tangent crank assembly	
	017312				4-circle - ft ³ - NTC		091274				NTC ft ³	
	017316				4-circle - ft ³ - TC		091275				TC ft ³ (shown)	
	017321				5-digit - ft ³ - NTC		091276				NTC m ³ - reverse stop	
	017322				4-digit - ft ³ - NTC		091281				NTC m ³	
	017323				5-digit - ft ³ - TC		091282				TC m ³	
	017324				4-digit - ft ³ - TC (shown)	29	091025	2	2	2	Flag arm link	
	017325				5-digit - m ³ - NTC	30	091044	4	4	4	Valve cover guide	
	017326				5-digit - m ³ - TC		Special Tools					
	018207				14" w.c. PC, 4-circle ft ³		799051	Regulator adjustment wrench				
	017289				2 PSI PC, 4-circle, ft ³		799017	Orifice wrench				
	017228				5 PSI PC, 4-circle, ft ³		012700	METRIS proving wrench				
14	016610	1	1	1	Index cover with silicone RTV gasket							
15	091325	1	1	1	Case gasket							

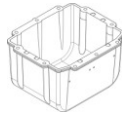
Meter Top Assembly 6"



Assembly includes Top Casting, IDM, Hubs

Part Number	Part Description
091371-002	#1 Sprague standard
091372-002	30 LT Meter top assembly
091373-002	20 LT Meter top assembly
091374-002	10 LT Meter top assembly
091375-002	1-1/4" (1" Pittsburgh) Meter top assembly
091343	RM top with IDM Meter top assembly

Meter Bottom Casting



Part Number	Part Description
091334-001	Meter bottom casting with badge holes

Index Cover



Part Number	Part Description
016610	Index cover with boss and RTV
015619	Index cover with ports and RTV

Case Gasket



Part Number	Part Description
091325	Case gasket-cork/Neoprene

Outlet Seal



Part Number	Part Description
091054	Outlet seal

Badge and Rivet



Part Number	Part Description
091055	Badge NTC 5# MAOP
091056	Badge TC 5# MAOP
091414	Badge NTC 10# NTC
091415	Badge TC 10# MAOP
091130	Badge TC metric
091131	Badge NTC metric
017034	Blank aluminum badge
017034EMB	Aluminum embossed badge
091444	Rivet 1/8 x 0.254

Hand-hole Cover



Part Number	Part Description
091006	Hand-hole cover
091008-007	Hand-hole cover, PFM, Pete's plug
091008-008	Hand-hole cover, PFM, 1/8" pipe plug

O-Ring Hand-hole Cover



Part Number	Part Description
091007	O-Ring hand-hole cover

IDM Assembly



Part Number	Part Description
091460	IDM assembly for slant face

Index



Part Number	Index Test Dials	Part Description	Type
017312	½', 2'	4-circle dial index ft ³	NTC
017316	½', 2'	4-circle dial index ft ³	TC
017321	½', 2'	5-digit direct read index ft ³	NTC
017322	½', 2'	4-digit direct read index ft ³	NTC
017323	½', 2'	5-digit direct read index ft ³ (shown)	TC
017324	½', 2'	4-digit direct read index ft ³	TC
017325	½', 2'	5-digit direct read index m ³	NTC
017326	½', 2'	5-digit direct read index m ³	TC
017289	½', 2'	2 PSI compensating, 4-circle dial index: ft ³	NTC & TC
017228	½', 2'	5 PSI compensating, 4-circle dial index : ft ³	NTC & TC
018207	½', 2'	14" w.c. compensating, 4-circle dial index: ft ³	NTC & TC

Drive Dog



Part Number	Part Description
010530	Drive dog (male)

Security Seal Cup



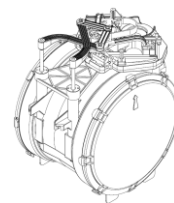
Part Number	Part Description
091061	Security seal cup

Security Seal Cap



Part Number	Part Description
017167	Security seal cap (red)

Center Module



Part Number	Part Description
091201NEW	NTC ft ³
091203NEW	TC ft ³
091205NEW	NTC m ³
091206NEW	NTC m ³ - reverse stop
091207NEW	TC m ³

Tangent Adjustment Assembly



NTC

TC

Part Number	Part Description
091274	NTC ft ³
091275	TC ft ³
091276	NTC m ³ - reverse stop
091281	NTC m ³
091282	TC m ³

Flag Arm Link



Part Number	Part Description
091025	Flag arm link

Valve Cover Guide



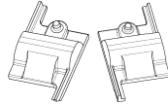
Part Number	Part Description
091044	Valve cover guide

Gear Shaft, Helical Worm



Part Number	Part Description
091045	Helical worm
091135	Helical worm, metric

Valve Cover







Part Number	Part Description
091040	Rear (lapped)
091041	Front (lapped)

Retaining Clip



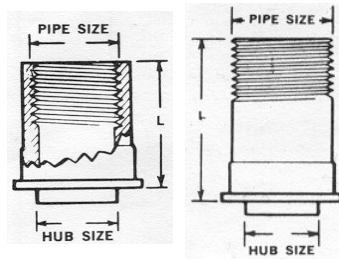
Part Number	Part Description
091053	Retaining clip

Screws

Part Number	Part Description	Quantity	Location
 091096	10-24 x 1/2 slotted pan head hand-hole cover	2	Hand-hole cover
 755304	1/4-20 x 3/4 hex-head	10	METRIS case
 010625	10-24 x 5/8 Fillister-head screw slotted	3	Index box
 010040	10-24 x 3/8 Fillister-head index mounting screw	2	Index to meter

Meter Connections

10 LT Swivels



Part Number	Part Description
013322	10 LT x 3/4M Galvanized swivel
013324	10 LT x 3/4M Galvanized swivel with plug
013243	10 LT x 3/4M Galvanized, insulated swivel

10 LT Connection Nut



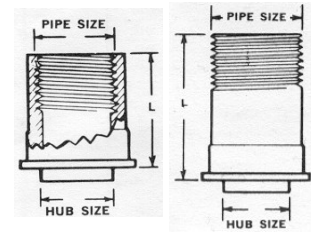
Part Number	Part Description
013409	10 LT Galvanized connection nut

10 LT Connection Nut Washer



Part Number	Part Description
015660	10 LT Connection nut washer

1A Sprague Swivels



Part Number	Part Description
013110	1A Sprague x 1M M.I. Black swivel
013132	1A Sprague x 1M Black swivel with plug
013247	1ASprague x 1M Black, insulated swivel
013147	1A Sprague x 1M Black insulated swivel with plug
013111	1A Sprague x 1M Galvanized swivel
013129	1A Sprague x 1M Galvanized swivel with plug
013223	1A Sprague x 1M Galvanized, insulated swivel
013145	1A Sprague x 1M Galvanized, insulated swivel with plug
013107	1A Sprague x 3/4 F Galvanized swivel
013205	1A Sprague x 2/4F Galvanized, insulated swivel

1A Sprague Connection Nut



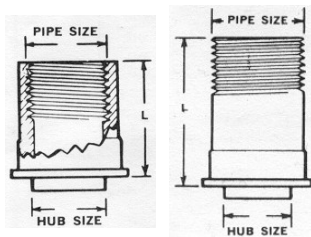
Part Number	Part Description
010692	1A Sprague Black connection nut
013403	1A Sprague Galvanized connection nut

1A Sprague Connection Nut Washer



Part Number	Part Description
015650	1A Sprague Connection nut washer

1-1/4" (1" Pittsburgh) Swivels
(Same as 1A swivels)



Part Number	Part Description
013322	1-1/4" x 3/4M Galvanized swivel
013324	1-1/4" x 3/4M Galvanized swivel with plug
013243	1-1/4" x 3/4M Galvanized, insulated swivel

1-1/4" (1" Pittsburgh) Connection Nut



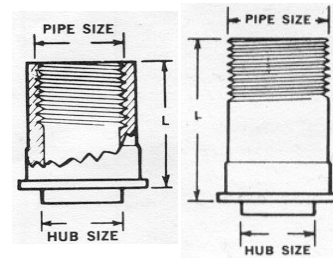
Part Number	Part Description
013412	1-1/4" Black connection nut
013414	1-1/4" Galvanized connection nut

1-1/4" (1" Pittsburgh) Connection Nut Washer
(Same as 1A connection nut washer)



Part Number	Part Description
015660	1-1/4" Connection nut washer

20 LT Swivels



Part Number	Part Description
063095	20 LT x 1M Black swivel
063092	20 LT x 1M Black, insulated swivel
063096	20 LT x 1M Galvanized swivel
063094	20 LT x 1M Galvanized, insulated swivel
063091	20 LT x 1M Galvanized swivel with plug
013216	20 LT x 3/4M Galvanized swivel with plug
013217	20 LT x 3/4M Galvanized, insulated swivel with plug
013241	20 LT x 3/4F Galvanized swivel
013240	20 LT x 3/4F Galvanized, insulated swivel

20 LT Connection Nut



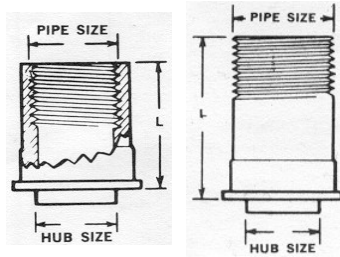
Part Number	Part Description
063415	20 LT Black connection nut
063417	20 LT Galvanized connection nut

20 LT Connection Nut Washer



Part Number	Part Description
015664	20 LT Connection nut washer

30 LT Swivels



Part Number	Part Description
013130	30 LT x 1-1/4M Black swivel
013225	30 LT x 1-1/4M Black, insulated swivel
013131	30 LT x 1-1/4M Galvanized swivel
013226	30 LT x 1-1/4M Galvanized, insulated swivel
013136	30 LT x 1-1/4M Galvanized swivel with plug

30 LT Connection Nut



Part Number	Part Description
013401	30 LT Black connection nut
013405	30 LT Galvanized connection nut

30 LT Connection Nut Washer



Part Number	Part Description
015657	30 LT Connection nut washer

Itron is a registered trademark of Itron, Inc. © 2010 Itron, Inc. All rights reserved 03/16/2010
 Contact • Itron, Inc., Gas Metering - U.S., 970 Hwy. 127 North, Owenton, Kentucky 40359-9302 USA
 Phone: (502) 484-5747 Toll free: 800-490-0657 Fax: (502) 484-6223 TDC-0913-000